

# ZOOMLION TRUCK CRANE

## ZMC1000V



**ZOOMLION**

**Zoomlion Heavy Industry Science & Technology Co.,Ltd.**

Add: No.677, Lugu Road, Zoomlion Industrial Park, Changsha, Hunan, China, 410205

Copyright©2023 Zoomlion. All rights reserved. Reproduction and copying of any part of contents is not allowed for any purposes without Zoomlion's approval.



Product specifications are subject to change without notice and obligation. The photographs and/or drawing in this document are for illustrative purposes only. Please consult your local ZOOMLION dealer for more information.  
website:en.zoomlion.com 2023.08.30

**ZOOMLION**

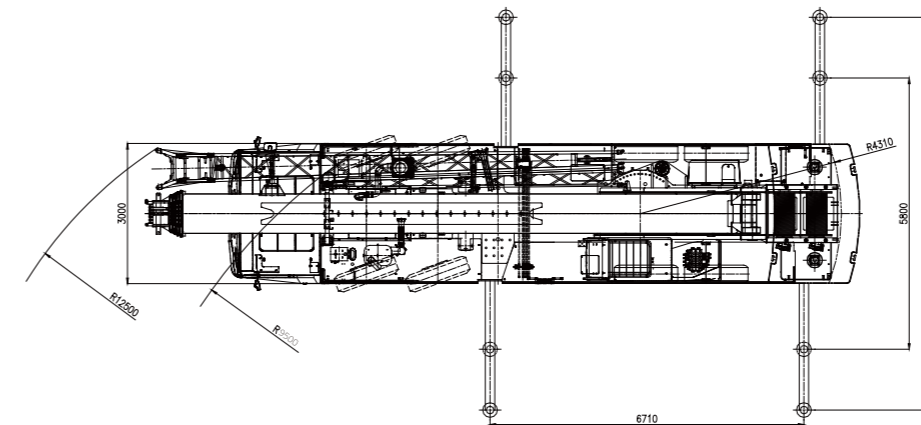
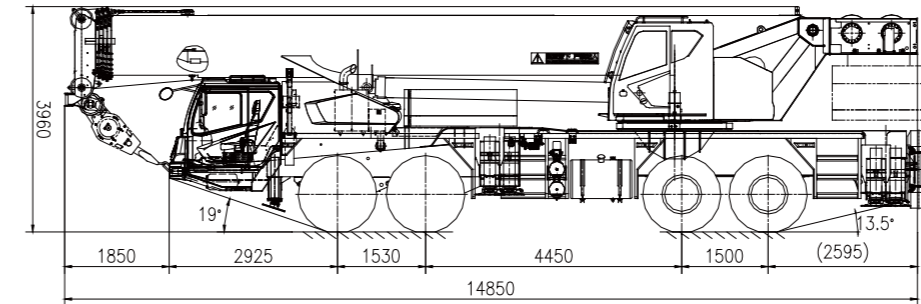
**4.0**  
PRODUCTS

# CONTENTS

DIMENSIONS .....	2
BOOM / JIBS COMBINATION .....	2
CRANE AND COMPONENT WEIGHTS .....	3
LIFTING CAPACITY TABLES .....	4-5
TECHNICAL SPECIFICATIONS .....	6
MAIN TECHNICAL PARAMETERS .....	6

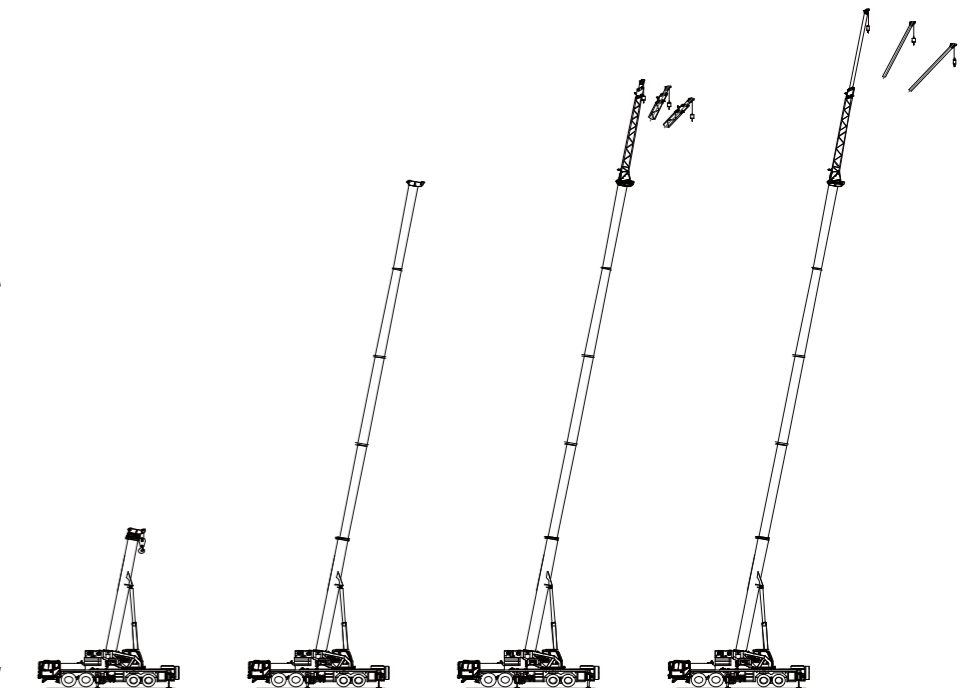
## DIMENSIONS

Unit: mm



## MAIN BOOM+JIB

Working Condition	Boom/Jib Length
Main boom	Main boom
Main boom+Jib section 1	Main boom+Jib section 1
Main boom+Jib section 2	Main boom+Jib section 2



## CRANE AND COMPONENT WEIGHTS

Axle	1	2	3	4	Total weight
T	12	12	12	12	48

### Hook Detailed Description

Specification	No. of Sheaves	Weight (t)	Max. reeving	Standard/optional configuration
60	5	510	10	Straight shank with single hook (standard)
8	-	125	1	Standard/
80	6	685	12	Straight shank with single hook (optional)
70	6	689	12	Straight shank with single hook (optional)
60	6	662	12	Straight shank with double hook (optional)
35	3	380	6	Straight shank with single hook (optional)

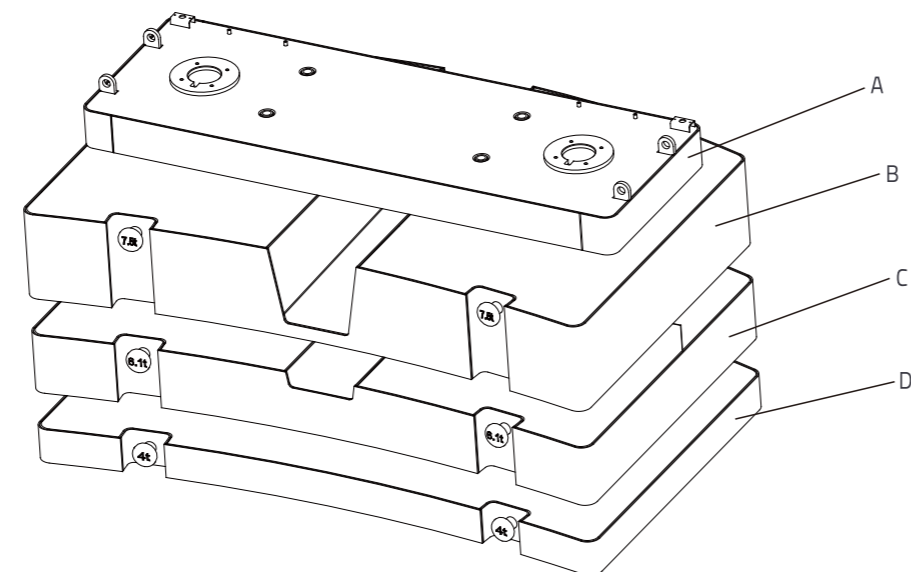
### Working speed

Icon	km/h MAX.	Icon	Icon
385/95R25	89	50	Forward gear 13.04/10.07/7.7/5.95/4.57/ 3.53/2.85/2.2/1.68/1.3/1.00/ 0.77 Reverse gear 11.98/9.25

Drive	Operation Speed	Rope diameter/length	Max. single line pull
1	130m/min	Φ 20mm/260m	6500Kg
2	130m/min	Φ 20mm/200m	6500Kg
360	0~1.6r/min		
Icon	65/s		
Icon	145/s		

### Counterweight

Counterweight	Size(L*W*H) Mm	Weight T	0.4T	4.4T	10.5T	18T
A	2830×958×200	0.4	1	1	1	1
B	2980×1959×460	7.5				1
C	2980×1959×312	6.1			1	1
D	2980×1959×180	4		1	1	1



## LIFTING CAPACITY TABLES

Unit: t

Working radius (m)	Main boom length m								
	Telescoping Cylinder I extended to 100%, outriggers fully extended 8.4m, side and rear operations, 18t counterweight								
	12.7	17.5	22.2	27.0	31.8	36.6	41.4	46.2	50.0
3.0	100.0**	70.0	50.0						
3.5	80.0*	70.0	50.0						
4.0	76.0	70.0	50.0	38.0					
4.5	73.0	70.0	50.0	38.0					
5.0	70.0	65.0	50.0	38.0	36.0				
5.5	64.0	60.0	48.0	38.0	36.0				
6.0	58.0	55.0	46.5	37.0	36.0				
7.0	48.0	47.0	42.0	36.0	35.0	31.0			
8.0	41.5	41.0	38.0	34.0	33.0	30.0	22.0		
9.0	36.0	35.5	35.0	32.0	30.0	28.0	22.0	19.0	
10.0		30.5	30.0	29.0	27.5	26.0	21.0	18.0	14.5
12.0		21.5	21.5	23.0	24.0	22.0	18.5	16.0	13.5
14.0			16.0	17.4	18.2	18.9	16.0	14.0	13.0
16.0			12.0	13.5	14.3	14.9	14.5	12.5	11.5
18.0				10.7	11.5	12.0	12.5	11.5	10.5
20.0				8.5	9.4	9.8	10.3	10.5	9.5
22.0				6.8	7.7	8.2	8.6	8.9	8.6
24.0					6.3	6.8	7.2	7.5	7.6
26.0					5.0	5.7	6.0	6.3	6.6
28.0						4.7	5.1	5.5	5.6
30.0						4.0	4.3	4.6	4.8
32.0							3.6	3.9	4.1
34.0							3.0	3.3	3.5
36.0								2.8	3.0
38.0								2.3	2.5
40.0									2.1
42.0									1.7
I	0	4.8	9.5	9.5	9.5	9.5	9.5	9.5	9.5
II	0	0	0	4.8	9.6	14.4	19.2	24.0	27.8
Reeving hook	12	11	8	7	6	5	4	3	3
									60t

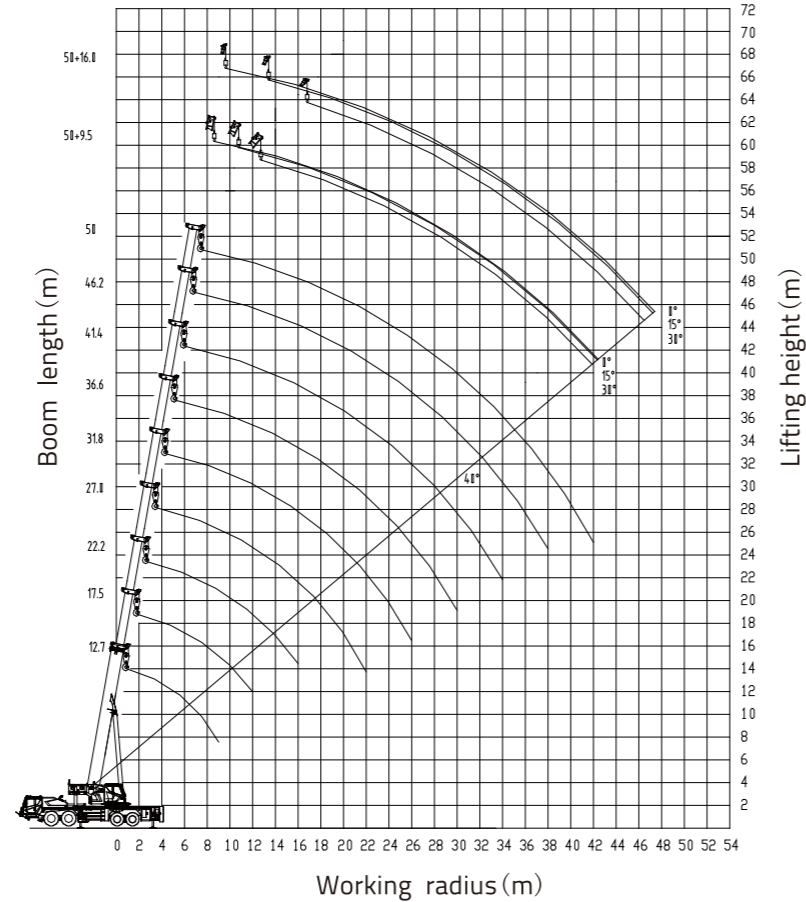
Unit: t

Working radius (m)	Main boom length m							
	Telescoping Cylinder I extended to 100%, outriggers fully extended 8.4m, side and rear operations, 18t counterweight							
	12.7	17.5	22.3	27.1	31.9	36.7	41.5	45.3
3.0	100.0**	70.0	38.0					
3.5	80.0*	70.0	38.0					
4.0	76.0	70.0	38.0	36.0				
4.5	73.0	70.0	38.0	36.0				
5.0	70.0	65.0	38.0	36.0	30.0			
5.5	64.0	60.0	38.0	36.0	30.0			
6.0	58.0	55.0	38.0	36.0	30.0	22.0		
7.0	48.0	47.0	38.0	36.0	30.0	22.0		
8.0	41.5	41.0	36.0	36.0	30.0	22.0	19.5	
9.0	36.0	35.5	34.0	35.0	29.0	21.0	18.5	16.0
10.0		31.0	32.0	33.0	27.0	20.0	17.5	15.0
11.0		27.0	28.0	29.5	26.0	18.7	16.5	14.0
12.0		23.5	24.5	26.0	24.0	17.5	15.5	13.5
14.0			19.3	20.3	20.8	15.2	13.5	12.5
16.0				15.2	16.1	16.6	13.5	12.0
18.0					13.0	13.5	12.2	10.6
20.0					10.7	11.2	11.0	9.6
22.0					8.9	9.4	9.9	9.0
24.0						8.0	8.4	8.2
26.0						6.8	7.2	7.5
28.0							6.2	6.5
30.0							5.3	5.6
32.0								5.0
34.0								4.3
36.0								3.9
38.0								3.4
I	0	4.8	4.8	4.8	4.8	4.8	4.8	4.8
II	0	0	4.8	9.6	14.4	19.2	24.0	27.8
Reeving hook	12	11	8	7	6	5	4	3
								60t

# LIFTING CAPACITY TABLES

Unit: t

Working radius (m)	Main boom length m						
	Telescoping Cylinder I extended to 100%, outriggers fully extended 8.4m, side and rear operations, 18t counterweight						
	12.7	17.5	22.3	27.1	31.9	36.7	40.5
3.0	100.0*	38.0	36.0				
3.5	80.0*	38.0	36.0				
4.0	76.0	38.0	36.0	30.0			
4.5	73.0	38.0	36.0	30.0			
5.0	70.0	38.0	36.0	30.0	22.0		
5.5	64.0	38.0	36.0	30.0	22.0		
6.0	58.0	38.0	36.0	30.0	22.0	21.0	
7.0	48.0	38.0	36.0	30.0	22.0	20.0	
8.0	41.5	38.0	34.0	28.0	20.5	18.7	17.0
9.0	36.0	36.0	32.0	26.0	19.0	17.2	16.0
10.0		33.0	31.0	24.0	17.5	16.0	15.0
11.0		30.0	30.0	22.0	16.0	14.5	14.0
12.0		26.0	27.0	20.5	15.0	13.5	13.0
14.0			21.0	18.0	13.0	12.0	11.3
16.0			16.7	16.0	11.5	10.5	10.0
18.0				14.3	10.3	9.4	9.0
20.0				12.0	9.3	8.4	8.0
22.0				10.2	8.5	7.7	7.2
24.0					7.8	7.0	6.6
26.0					7.1	6.4	6.0
28.0						5.8	5.4
30.0						5.4	5.0
32.0							4.6
34.0							4.2
I	0	0	0	0	0	0	0
II	0	4.8	9.6	14.4	19.2	24.0	27.8
Reeving hook	12	11	8	7	6	5	4
				60t			



# TECHNICAL SPECIFICATIONS

## Superstructure

### Strong Lifting Performance

- Max. lifting moment of basic boom is 3430kN.m, Max. lifting moment of fully extended boom is 1862kN.m, both lead the industry.
- Max. lifting capacity of fully extended boom is 14.5T, Max. lifting height of boom + 16m jib is 67.2m.
- Innovative plate boom head and compact boom tail features the optimized overlap ratio and stronger lifting capacity.
- Two-stage H-shaped outrigger span 6.71m by 8.4m, total 18T CWTs, and enables a superior lifting stability.

### Robust & Excellent Driving Experience

- WEICHAI engine + SHANXI Gear 12 speed automatic transmission + four wheel steering, provides superior driving performance.
- 3.0m wide chassis platform features better lateral stability during driving.
- Can transport with a 10.5t counterweight, leaving enough space for planting box-type outrigger pads, facilitating easy transportation and low operational costs.

### Great Intelligence & Comfort

- Driver's cab features a multi-functional screen and a rear view camera screen.
- Large space operator's cab features 10 inch touch screen LMI, integrated with winch monitoring function.

# MAIN TECHNICAL PARAMETERS

Item		Value	Remarks
Working performance	Max. rated lifting capacity	t	100
	Max. load moment of basic boom	t.m	350
	Max. load moment of main boom(fully extended)	t.m	190
	Max. lifting height of basic boom	m	14.2
	Max. lifting height of main boom	m	51.0
Max. lifting height of jib	m	67.2	
Working speeds	Max. hoist rope speed (main winch)	m/min	130
	Boom derricking up time	s	65
	Boom extending time	s	145
	Slewing speed	r/min	0 1.6
Driving	Max.operation altitude	m	2000
	Max. driving speed	km/h	89
	Max. gradeability	%	50
	Min. turning diameter	m	19
	Min. ground clearance	mm	345
	Oil consumption per hundred kilometers	L	41
Mass	Deadweight in driving condition	kg	45000
	Complete vehicle kerb mass	kg	47870
	Front axle load	kg	24000
	Rear axle load	kg	24000
Dimension	Overall dimensions (L×W×H)	mm	14800*3000*3960
	Longitudinal distance between outriggers	m	6.71
	Transversal distance between outriggers	m	Completely extended: 8.4.
	Slewing radius of counterweight	mm	4310
	Main boom length	mm	12700-50000
	Boom angle	°	-1 80
Jib length	m	9.5 16.0	